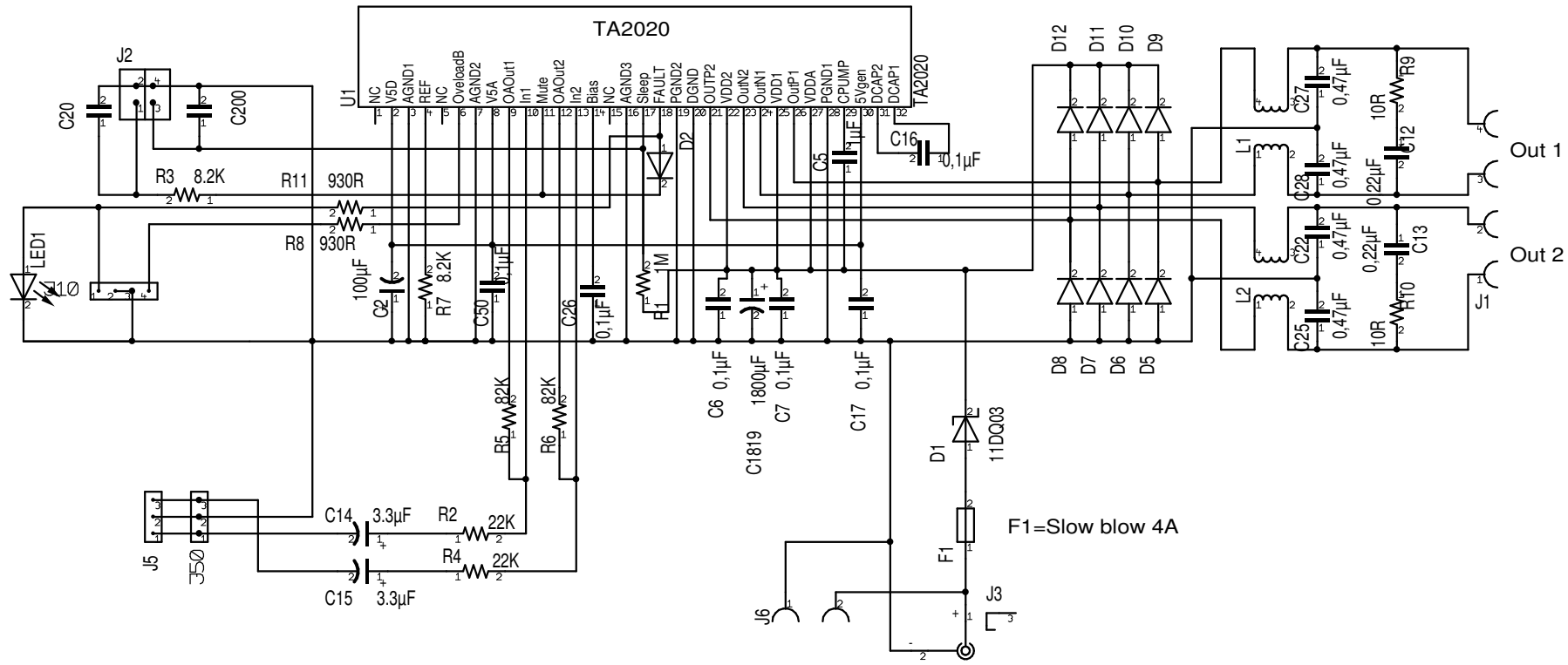


J2  
 Pin 1-2 Mute: Closed=On, open = output off (20mA)  
 Pin 3-4 Sleep: Closed=Awake, Open = "Sleep" mode, < 1mA



J10  
 Pin1 FAULT Hi / On = overcurrent, overtemperature or other error  
 Pin4 Hi=OK, Low=input signal overload. Pin4 can not drive a LED, only a transistor

J5/J50  
 Pin1 Input 1  
 Pin2 GND  
 Pin3 Input 2

J6  
 Pin1 GND  
 Pin2 +12V (Max 14.5V)

Scale	100.00%	41Hz Audio	
Modification	2010/10/09 17:00		
Edition	2010/10/10 12:04		
File	AMP6-BASIC rev 1.2		